
Subject: Dhcp Networking -net-dev_add Confusion
Posted by [Frank DiRocco](#) on Fri, 26 May 2006 05:07:38 GMT
[View Forum Message](#) <> [Reply to Message](#)

This is the second time I'm sending this, now either I have a problem with the list or no one is responding. Please if you get this and even if you don't have any clue what I'm talking about please just respond so I know I at least asked.

Sending this again because I didn't get a response.

I have created a Debian OpenVZ machine as stated at http://www.howtoforge.com/opensvz_debian_vps we'll call it chapai. I have also create a debian vps which I want to make a firewall out of, call this one iris.

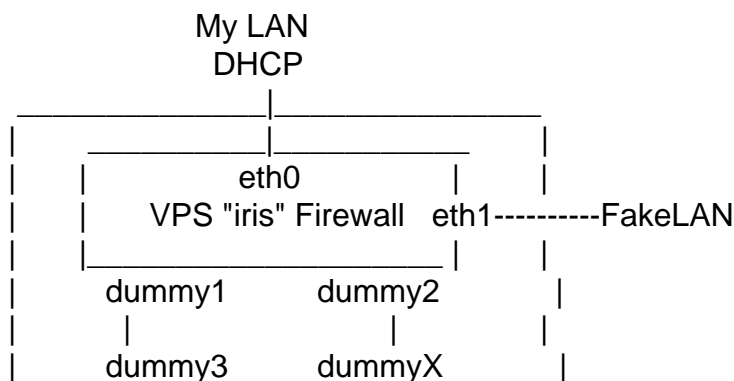
I configured chapai so only dummy0 172.16.141.10 is configured on boot (eth0 is commented out, this originally accepted dhcp addy from server)

The end of iris' config file has
IPADDRESS="172.16.40.100"
NETDEV="eth0 dummy1 dummy2"

When I rebooted the host, "vzlist -a" showed iris "running". "ssh root@172.16.141.100" logged me into my debian vps iris. Eth0 does not come up auto-magically (and shuldn't). If I configure eth0 (in iris) with a static ip on my lan, iris can contact the lan and chapai is "behind" iris. I want this to work with dhcp on eth0 in iris, but when I modify /etc/network/interfaces in iris it is reset upon reboot and no eth0 comes up (I also cant find /etc/network/interfaces.templates. Is this supposed to exist?) I have also tried to modify /vz/private/etc/network/interfaces, with no luck.

I apologise if this was to verbose or very simple and I over complicated it. I'm just comming into opensvz from xen and am trying to adapt. :-D

This is the Goal I want to achieve. Although eth1, FakeLAN, and Future VPS's were not dicused in my question.



```
| _____ | _____ | | | |
| |Host "Chapai" | | "Future VPS's" | |
| | _____ | | _____ | |
| | _____ | | _____ | |
```

--

Thank you,
Frank Di Rocco
Leap Technology

A byte walks into a bar and orders a pint. Bartender asks him "What's wrong?" The byte says "Parity error." Bartender nods and says "Yeah, I thought you looked a bit off."
